

DTSU666-HW/YDS60-80

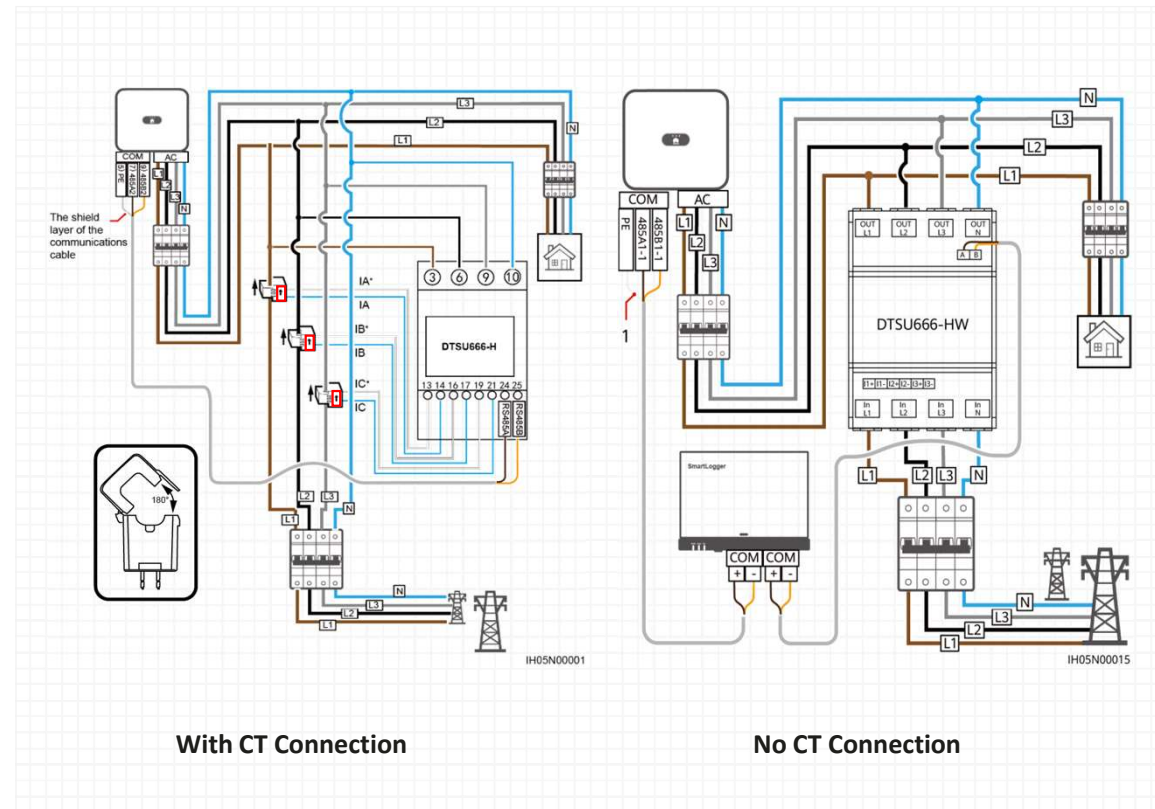


Smart Power Sensor

DTSU666-HW/YDS60-80

Parameters

Dimension (H x W x D)	100 x 72 x 80 mm
Weight (including cables)	< 0.5 kg
Power grid type	3P4W/3P3W
Line voltage	90 Vac ~ 1000 Vac (>500 with PT)
Phase voltage	52~577 Vac
Current	0 ~ 80 A (>80 with CT ¹)
Interface	RS485



Huawei will deliver any type of them at random, because the function are the same.